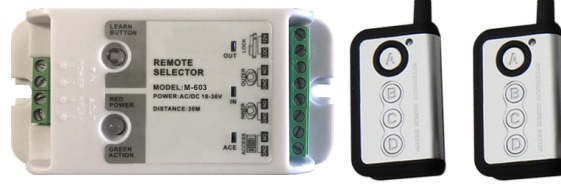


Operation Instructions

Make your choice...

M-603 Multi-functional Remote Controller For Autodoor

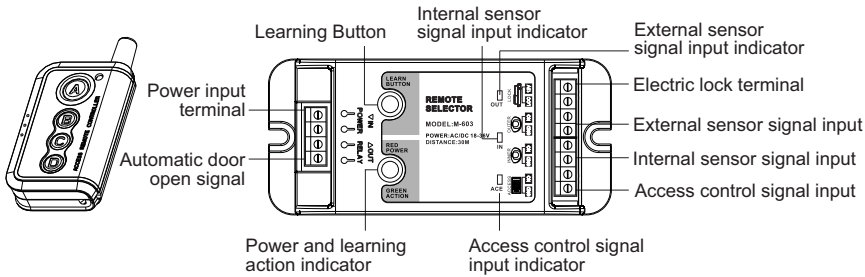


1 Safety Instructions



Thanks so much for your purchasing, please refer to the following before using.

2 Product Overview



This product is with the design of self-learning code. The code of the remote transmitter must be matched with the receiver before using. (The remote controller has been matched with receiver before shipment from factory. Can learn up to 20pcs different codes.)

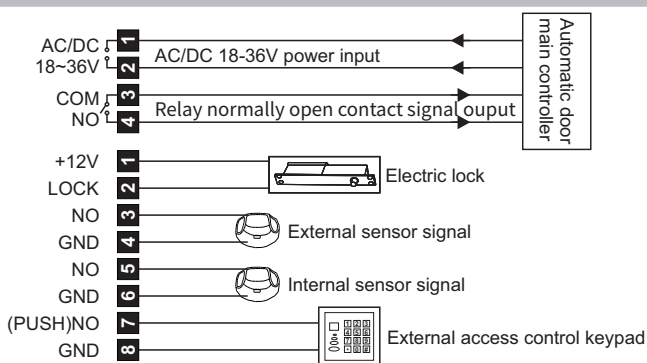


To ensure that the automatic door has time to complete the self-inspection. In the initial 6 seconds when the product is powered on for the first time, the electric lock will not be locked and the remote control switching state will not work.

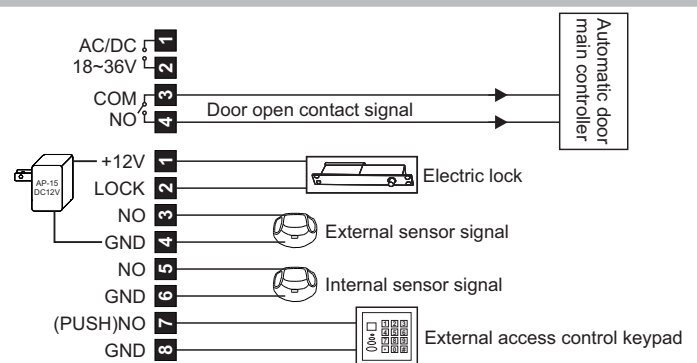
- Learning method: Press the learning button for 1S, green LED indicator is on. Entering the learning state. Then press any key of the remote control, the green LED indicator flashes twice, learning success. And then after 3 seconds, it will exit and return to the standby state automatically.
 - Delete method: Press and hold the learning button for 5S, green LED indicator flashes quickly, all codes will be deleted. (each code cannot be deleted individually)
 - A key(Full lock): All sensors of internal and external are invalid, and external access controller are invalid. electric lock locked automatically. All people can not enter and exit completely. Be used for preventing thieves at night or on holidays periods.
 - B key(One-way): External sensor is invalid and electric lock locked automatically while external access controller and internal sensor are effective. Only internal personnel can enter in by card. Internal sensor is effective, people can go out, be used for offwork clearance period.
 - C key(NO/Inching mode): Press the key, unlock and door open once, then return to original state. Press and hold button for 3s, all sensors and access controller are invalid. Autodoor keeps fully open. Temporary ventilation or emergency to use.
 - D key(EXIT): Internal and external sensor are effective, electric lock is not work, used during the normal business hours.
- To ensure that the automatic door has time to complete the self-inspection. In the initial 6 seconds when the product is powered on for the first time, the electric lock will not be locked and the remote control switching state will not work.

3 Wiring Diagram

Getting AC/DC 24V power supply from automatic door operator unit



External DC12V regulated power supply connection diagram



- 1, The power supply of internal and external sensor should not be taken from this expander, but connected to the terminal of the original sensor power supply of the main controller.
- 2, This system has state memory function after power off. When re-power on, automatic door will intelligently return to the state before the power failure.
- 3, The input signal of the access controller should be a passive short-circuit signal, or directly input the PUSH signal.
- 4, If the capacity is sufficient, the input power can be taken from the AC/DC12~36V of the automatic door operator unit or an external

12V DC regulated power supply.

- 5, DC12V power input should be connected to terminal 1 and 4 of 8-pin terminals.
- 6, The actual output current of DC REGULATED POWER must be larger than the maximum action current of electric lock. (It's better to reach 1.5 times or more)
- 7, The deeper the built-in extender is installed, may be the weaker the switching signal sound.
- 8, This machine according to the factory serial number, the warranty period is 1 year (non-human factor).

4 Technology Parameters

Power supply: AC/DC 12~36V
 Max current of E-Lock: 3A(12V)
 Static Power: 35mA
 Action current: 85mA (don't include electric lock current)
 The interval time between unlock and door open: 0.5s
 Professional appliance: Built-in surge absorber

Transmitting and receiving method: 2.4G self-learning code
 Remote control battery using life: About 6-8 months
 Working environment temperature: -42°C~45°C
 Working environment humidity: 10~90%RH
 Appearance dimension: 110(L)x50(W)x25(H)mm
 Remote control distance: 30M