

Operation Instruction

M-263 Integrated Passive Infrared Small Sensor

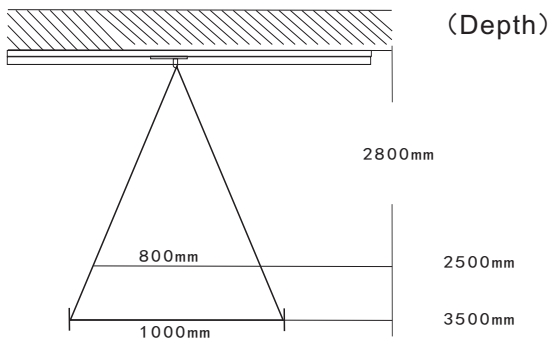
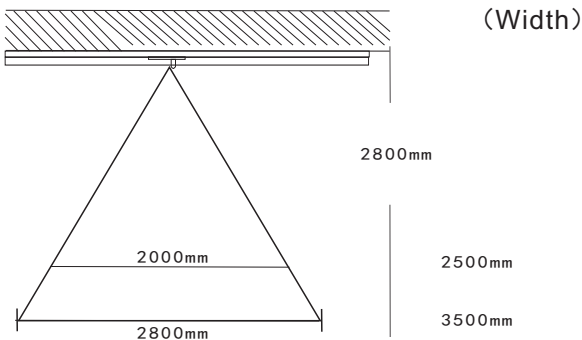
Make your choice.....



1 Safety instruction

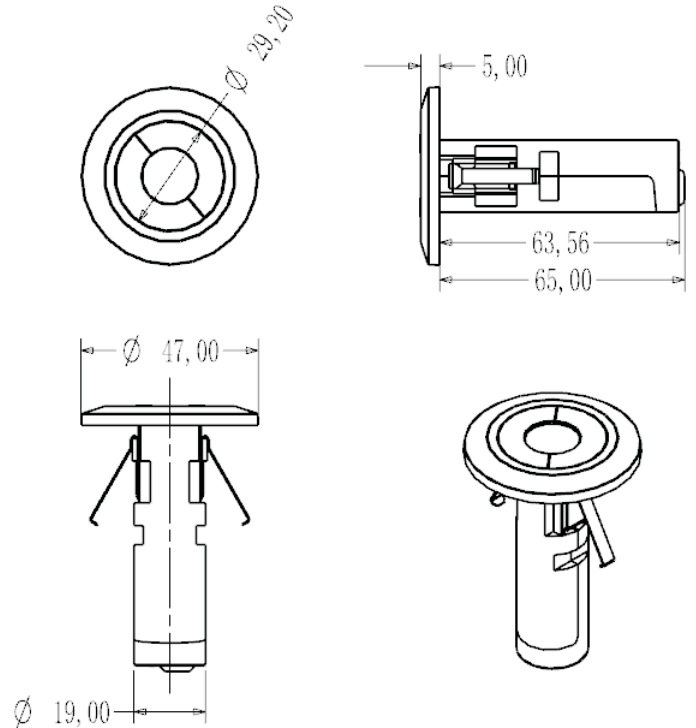
! Thanks so much for your purchasing, in order to use this product correctly, please read this manual carefully before use it.

2 Induction range

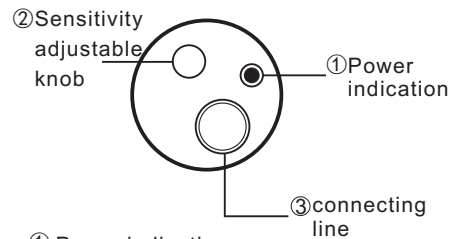


The induction range varies with the sensitivity adjustable knob.

3 Installation hole size drawing



4 Power indication and wiring diagram



RED	—	+DC12-24V
BLACK	—	GND
GREEN	—	COM
WHITE	—	NC

- ① Power indication
- ② Sensitivity adjustable knob
- ③ connecting line

NOTE: Turn clockwise to increase sensitivity, turn counterclockwise to decrease sensitivity.

5 Technical parameters

Power supply:	DC12-24V±10%
Working current:	11.6mA(DC12V power)
Action current:	5.86mA(12V power)
Working temperature:	-20°C+60°C
Max. detective range:	1×2. 8m
Min. detective movement speed:	0. 1m/S
Max. installation height:	3500mm
External Dimension:	63 (L) ×57 (W) ×52 (H) mm