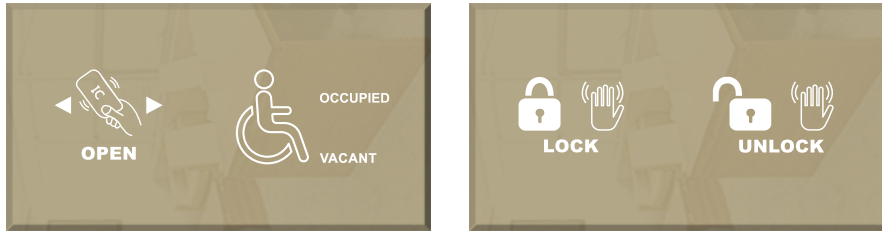


Operation Instructions

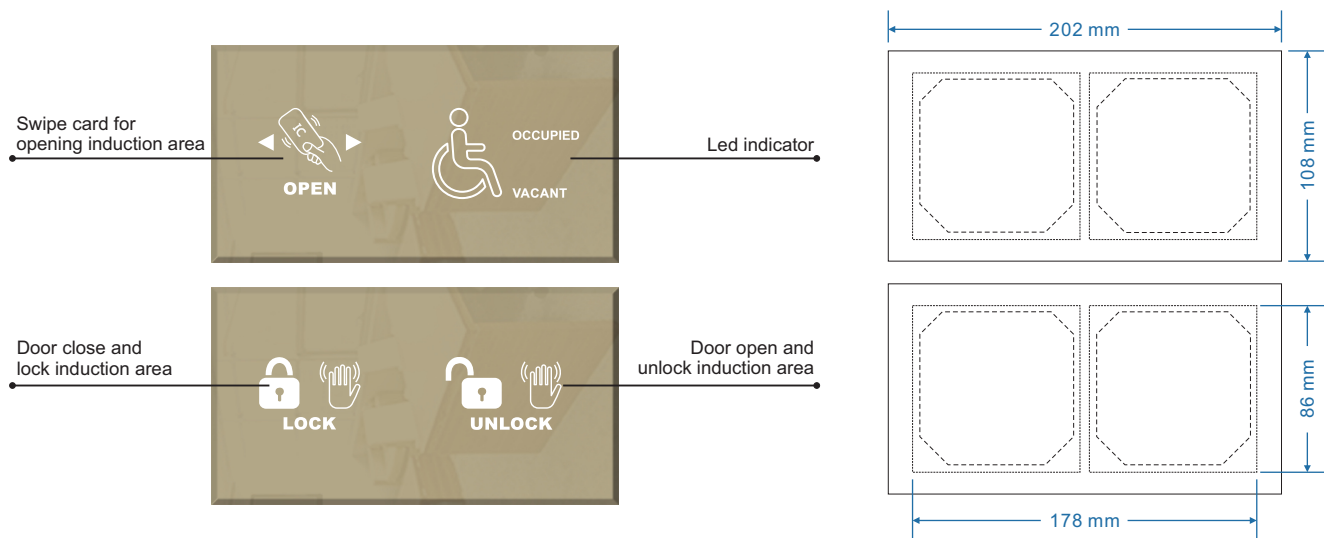
M-238A Access Control Type Touchless Locked Switch



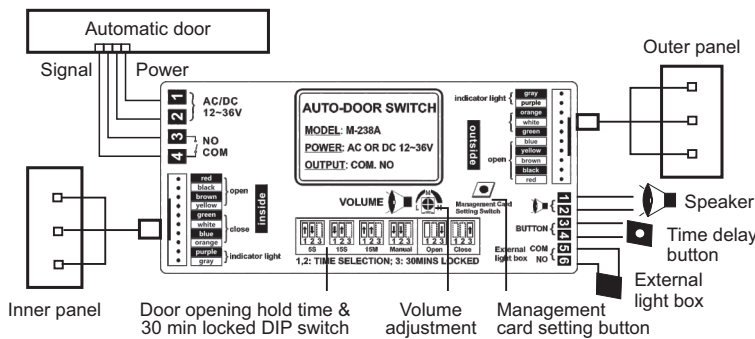
1 Safety Instructions

! This device must use a low voltage with protected safety insulation, all commissioning and repair work must be installed by a professional engineering installer.

2 Product Overview



▲ Mounting hole size chart



◀ Wiring

The inner panel wiring:

Red, black, brown, yellow => Door opening sensing touch switch;
Green, white, blue, orange => Door closing sensor touch switch;
Purple, grey => LED indicator

The outer panel wiring:

Red, black, brown, yellow, blue => Card reader panel
Purple, grey => LED indicator

3 Card Setting

1, Standby mode indicator light:

Standby mode-blue LED; Swipe card success-Light off, just buzzer sound; Swipe card failure-Red LED.

2, Management card setting:

Push the management card setting button: enter setting mode, red LED is on, if no any operates within 20 seconds, then exit learning mode.

Set management card mode: Red LED; add card success-Light off, just buzzer sound; add card failure- Blue LED

Set management card mode: Add a card twice for a round, followed by authorization card, delete card

3, Add card:

In the standby state, swipe the authorization card, add the card 1, card 2, card 3 ..., if no any operates within 10 seconds, then exit setting mode.

Add card mode: Light off; add card success-Blue LED flash once with buzzer sound; add card failure-Red LED flash once;

4, Delete card:

In the standby state, swipe the delete card, delete the card 1, card 2, card 3 ..., if no any operates within 10 seconds, then exit setting mode.

Delete card mode: Light off; delete card success-Blue LED flash three times with buzzer sound; add card failure-Red LED flash three times;

Delete all cards: In the standby state, in turns, swipe the authorization card, delete card, then swipe authorization card again for confirmation.

5, Clear all function cards:

Push and hold the learning button for 5 seconds, red LED flashes for 3 seconds, all cards will be deleted.

6, Authorization card capacity:

1pcs; Delete card capacity: 1 pcs; Door open card capacity: 100 pcs.

4 Use procedure

- [1] On standby mode, "VACANT" indicator light of outer panel, "UNLOCK" indicator light of inner panel.
- [2] In the outer panel's swipe card for opening induction area, swipe the authorization card, automatic door will be opened, with the voice prompt "door is opening."
- [3] Enter the room, wave hands to the door close button, the door automatically close and lock. At the same time, there will be a voice prompt "door is closing". If no any operations after 5 seconds, there will be a voice prompt "enter the room, please waving hand to lock".
- [4] After door is locked, "OCCUPIED" indicator is on of the external panel, "LOCKED" indicator is on of internal panel, "UNLOCK" indicator is off. In this time, if someone swipe the card on the external panel, there will be a voice prompt "OCCUPIED", and door will not be opened.
- [5] When inside users finished, wave hand and sense the door open button, the door will open automatically and there will be a voice prompt "DOOR IS OPENING".
- [6] When the users come out, the automatic door will be closed automatically according to the setting time of the dial switch. At the same time, there will be a voice prompt "door is closing" and return to the standby mode.

NOTE:

- [1] When sense the inter panel's door open sensing area, after 5 seconds, then you can effectively sense the inner panel's close and lock sensing area to set the locked mode, otherwise it will have a voice prompt of "Door is invalid locked, please press the lock button again".
- [2] When in the standby mode for more than 1 minute, directly sense the inner panel's close and lock sensing area is invalid, if need to lock door, you must first sense the inner/outer panel's door open sensing area, and after 5 seconds, to sense the inner panel's close and lock sensing area.
- [3] When the DIP button of door opening hold time is set to manual mode, please ignore the above two items.



NOTE: The system into the locked state and 25 minutes without any action indication, there will have a voice prompt "please note that this system will be unlocked after 5 minutes, if you need to continue to use, please push the confirm button, thank you". At this time, please sensing the door lock area of internal panel or push the Time Delay Button, the system will extend 30 minutes of use time automatically. If no any operations, the system will unlock after 5 minutes. This function can be canceled by NO.3 dial switch.

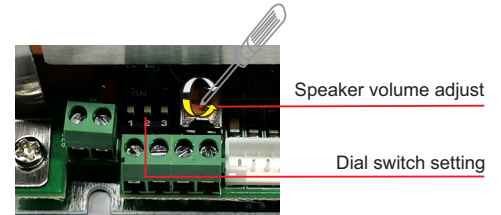
Emergency Open: When the controller is in use state, and the personnel inside have to unlock the door due to any accidents or special circumstances, you can swipe the authorization card on the external panel, and with a voice prompt "Please attention door is opening". Door will be opened, and the system will return to the standby state.

5 Adjustment

- [1] **Volume adjustment:** Adjust the position of the speaker volume, clockwise adjust for high volume, counter clockwise to adjust for low volume.

- [2] **Door open hold time adjustment:**

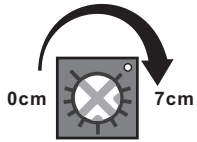
	Door opening time adjustment				30mins locked function	
DIP Switch						
Setting	5s	15s	15min	Manually	Open (Lock time for 30 minutes)	Close (Lock time no limit)



Note:

- (1) 5s,15s,15min, these time means when sensing and open the door, if without any closing instructions, door will close after arrived this setting time.
- (2) Manually setting means when sensing and open the door, you must wave hand to close the door, if without any actions, door will remain open state.

- [3] **Sensitivity adjustment:**



The clockwise direction the induction distance becomes farther, the counterclockwise direction the induction distance becomes closer, and the maximum induction distance is 7cm.

Note: the adjustment button is on the back of the panel.

6 Parameter

Working Voltage	AC/DC 12~36V	Light case	Can be connect to the indicator light box
Standby Current	110mA (12Vpower)	Door open hold time	5s, 15s, 15min, Manually
Action Current	135mA (12Vpower)	Sensing distance	0-7cm
Voice	English, Chinese, Cantonese (can be customized)	Inner Panel Size	202(L)x108(W)x15(H)mm
Output	Relay dry contact	Outer Panel Size	202(L)x108(W)x15(H)mm
Speaker	4-8Ω, 1-5W external speaker	Main Controller Size	143(L)x60(W)x40(H)mm

7 Packing List

Controller *1, Inner panel *1, Outer panel *1, 10-Pin wiring(meters) *2, Instructions *1, Horn *1, IC card *2