

Operation Instructions

Make your choice...

M-236E Automatic door back-up power with lithium battery

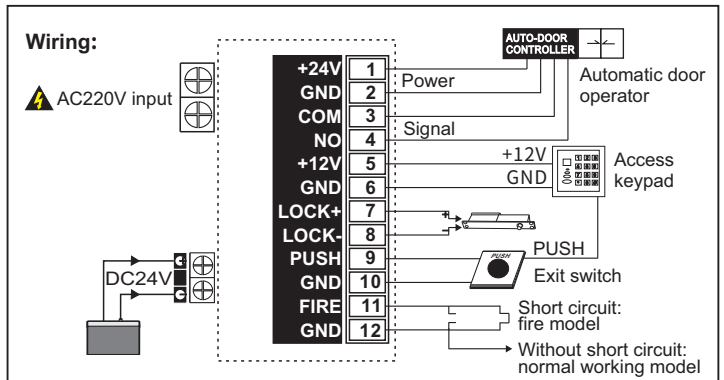
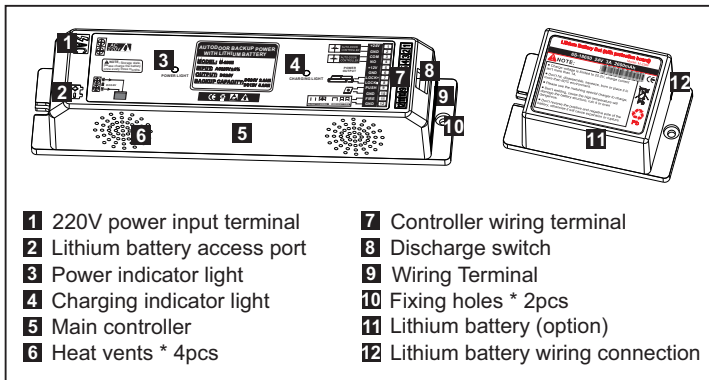


1 Safety Instructions

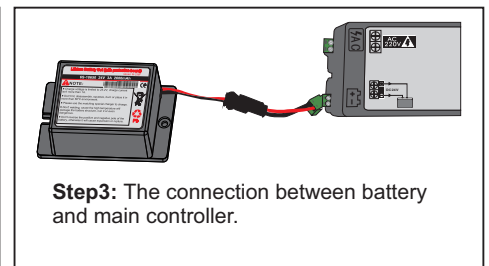
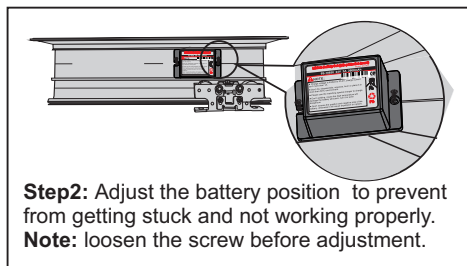
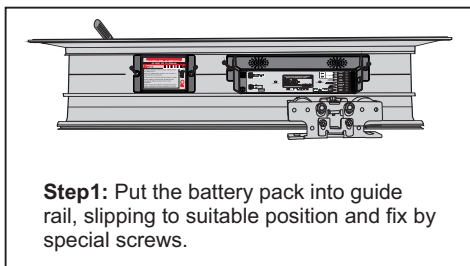


Thanks you for purchasing our product, please read this instruction before using.

2 Product Overview



3 Installation And Adjustment



- If want to extend the working time, you could add another one piece of lithium battery when power failure happened.
- Please put the battery into track in 30° inclined.

4 Function Setting

BACKUP TO NORMAL ▶ Working mode: FIRE and GND (NO short circuit)
 - Door work as normal once power failure.

EMERGENCY OPEN ▶ Fire model: FIRE and GND short circuit
 - Door keep open once power failure.

5 Note

- Storage state, need to be charged once in three months.
- 2 kinds of wires of AC input: Live line and Zero line.
- In order to improve the service life of the battery, the battery should be charged for more than 12 hours when it is first used.
- Maintenance should be undertaken by professional maintainer.
- System will automatically be cut when the storage batteries low to certain voltage rated value.

6 Parameter

Input Voltage:	AC220V, 50Hz	Charging time:	Around 10 hours
Output Voltage:	DC24V, 2.6AH; DC12V, 5.2AH	Open times:	About 550 times
Working Mode:	Automatic working or keep opening	Controller Dimension:	243(L)×59(W)×45(H)mm
Indicator and Protect:	LED display charging process, low voltage automatically cut off	Storage battery size:	96(L)×59(W)×45(H)mm