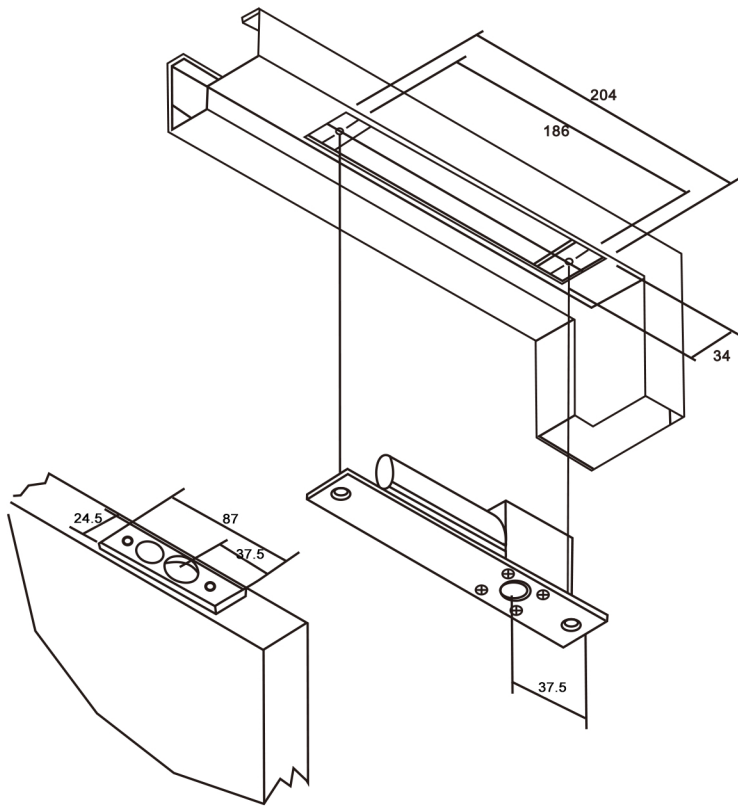


# 电插锁说明书



## 电锁特点:

工作电压: 12VDC  
黄色 → 常闭 (NC 需定制)  
红色 → 电源 (+)      白色 → 公共 (COM)  
黑色 → 电源地 (-)    绿色 → 常开 (NO)

工作电流: (普通) 启动状态 450mA 持续状态 450mA  
(低温) 启动状态 900mA 持续状态 180mA

线圈类型: 连续工作型

安全类型: 通电上锁, 断电开锁

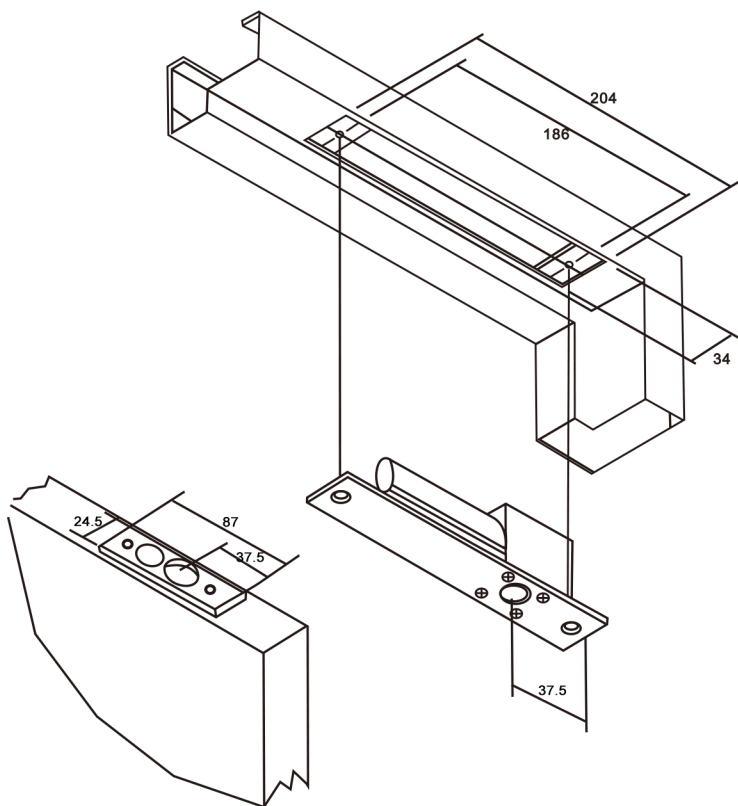
锁心: 直径 15MM 不锈钢锁心, 伸出长度 15MM

上锁方式: 磁感应

## 原装清单:

电插锁	1把	螺 丝	1包
面板盖板	1块	说明书	1张
感应锁扣	1块	合格证	1张

# Electric drop bolt instruction



## Main characteristics:

Working voltage: 12VDC      Yellow- (NC custom.made)  
Red-Power supply (+)      White-(COM)  
Black-Power ground (-)    Green-(NO)

Working current: (Ordinary) Start state 450mA  
Persistent state 450mA  
(Low temperature) Start state 900mA  
Persistent state 180mA

Coil type: Continuous working

Security type: Electric power lock, unlock

Lock core: The diameter of 15MM stainless steel core, extending the length of 15MM

Locking mode: Magnetic induction

## The original list:

Electric mortise lock	(A handful of)
Panel cover	(A block)
Induction lock	(A block)
Screw	(A packet of)
Manual	(A piece of)
Certificate of conformity	(A piece of)