

M-210E Back-up Power for Access

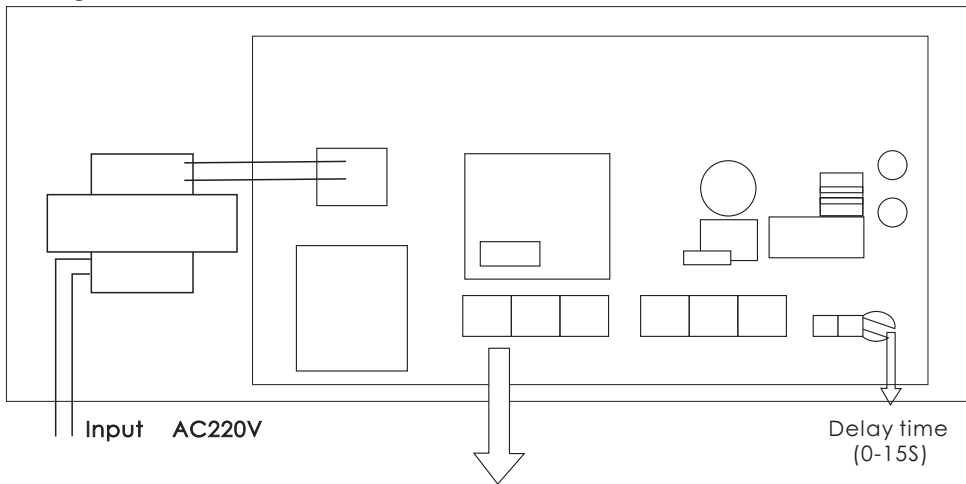
General introduction: Be made of superior components with international hi-tech;Quality guaranteed.

Application: Be applied to building talkbacks and kinds of access controllers,especially electric locks and bolts.

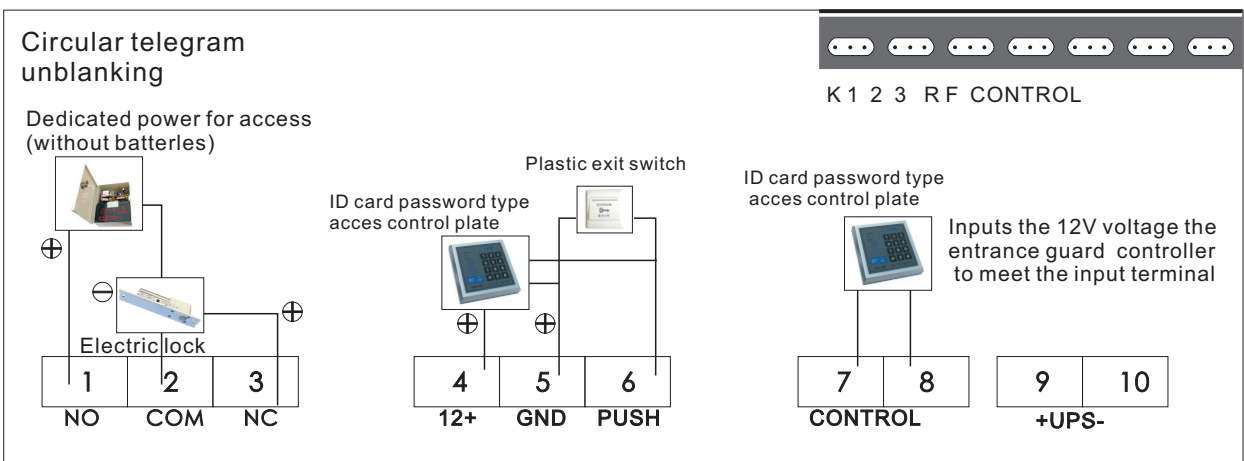
Function: Power input: standard 220Vac, 50Hz; Power Output: Standard 12VDC, 3A/5A ; Control electric locks or bolts directly; Reduce the load of access controller,Save project wires; Lower potential trouble; Have output NC/NO; Has delay control circuit; Unlock delay time is in 0-15S; Short circuit protection.

Dimension: 176(L) × 78(W) × 70(H)mm Weight:1.05kg

Diagram:



Wires Connection:



- 1—2: NO&COM terminal,normally no output;Press button to output DC12V (0 ∞ 15s time delay);terminal 1 is +(cathode), terminal 2 is -(anode).
- 2—3: NC&COM terminal,normally output DC12V,Press button to cut off power supply(0∞15s)time delay),terminal 3 is +(cathode), terminal 2 is-(anode).
- 4—5: DC12V Output ,terminal 4 is +(cathode),terminal 5 is -(anode).
- 5—6: Connect exit button or time attendance.
- 7—8: Output DC12V to open the door,especially applied to the access controller which output DC12V to control electric bolts or locks directly.
- 9—10: DC 12V to control electric bolts or locks directly.
- K123: R F control to cout off power supply.