

# Operation Instruction

## M-201 Hand Sensor Switch

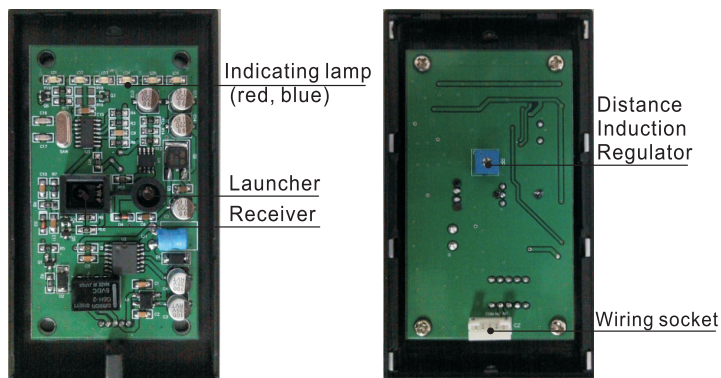
Make your choice.....



### 1 Security Guide

Thank you so much for your purchasing. Please refer to the following before using.

### 2 The Over-all Structure

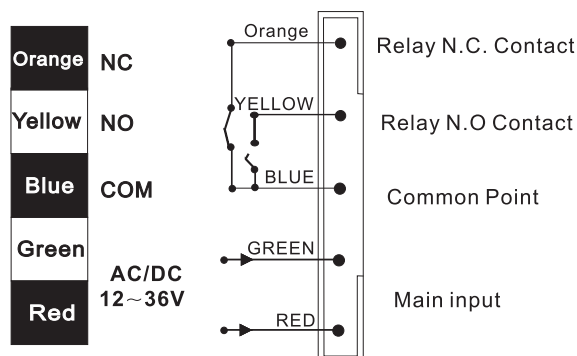


### 3 The overall features

- Adopt infrared modulation-demodulation, interference signal will not be caused.
- With the non-contact induction design, door can be open in an easy and clean way.
- Transmit distance is adjustable from 1 to 15 cm, can be set according to actual occasion.
- Low-power design with longer service life.
- Adopt high-sensitivity infrared tubes, quick response for door opening.

- Installation with hidden screw hole, the appearance with the sense of science.
- With dry contact signal output, easy to link with various gated equipment.
- Instruction with light indicator.
- Power supply: 12-36V DC/AC

### 4 The definition of input and output



### 5 Fittings

- main sensor (one pcs)
- Retention screw(one bag)
- 5P Socket cable(one)
- Operating instructions(one)

### 6 The main technical parameters

Supply power:	AC/DC 12V~36V
Static parameter:	(DC12V) 22mA
Action current:	(DC12V) 55mA
Transmit distance:	1~15cm adjustable
Operation Frequency:	38KHZ
Working environment humidity:	-20℃~45℃
Dimension:	113mm(L)x63mm(W)x20mm(H)
Fixed way:	Fixed with hidden screw
Total Weight:	108G